

SECURE POST SEAL

The Secure Post is an adjustable plastic strap seal for use on a wide range of applications.

Applications

- Bulk Tankers / Trailers
- Tote Boxes
- Valves
- Inner Drum Bags Pouches
- Mail Bags
- Trailers
- Hatches
- Coin Bags
- Plastic & Cloth Bags

Features

- Suitable for a wide range of applications.
- 10 seals per mat.
- Three strap lengths: 7", 11" & 15" (178, 279 & 381mm).
- Smooth tail insertion for easy pull-up.
- Integral metal clip provides a high level of security.
- Optional gripping prongs and/or tear-away designs.

Material

- Polypropylene or nylon (7" & 11" inch only)

Dimensions

- Overall length: 9.21", 13.21" or 15.21" (234mm, 335mm or 386mm)
- Flag: 2.21" (56mm) x .312" (8mm) x .78" (20mm)
- Tail: 7", 11" or 15" (178, 279 or 381mm) x .312" (8mm)

Strength Characteristics

- Average looped pull apart force:
- Polypropylene – 120 lbs (54 kg)
- Polypropylene with tear-away – 85 lbs (39 kg)
- Nylon – 153 lbs (69 kg)

Decoration/Printing

- Heat stamped with company name and consecutive numbers (7 digits).
- Optional bar coding on vinyl labels (Interleaved 2 of 5, Code 39 or 128).
- Optional dual numbers heat stamped on flag and tail.

Colors

- Standard: Red / Green / Blue / Yellow / Dark Blue
- Custom: Orange / Gray / Maroon / Black / White

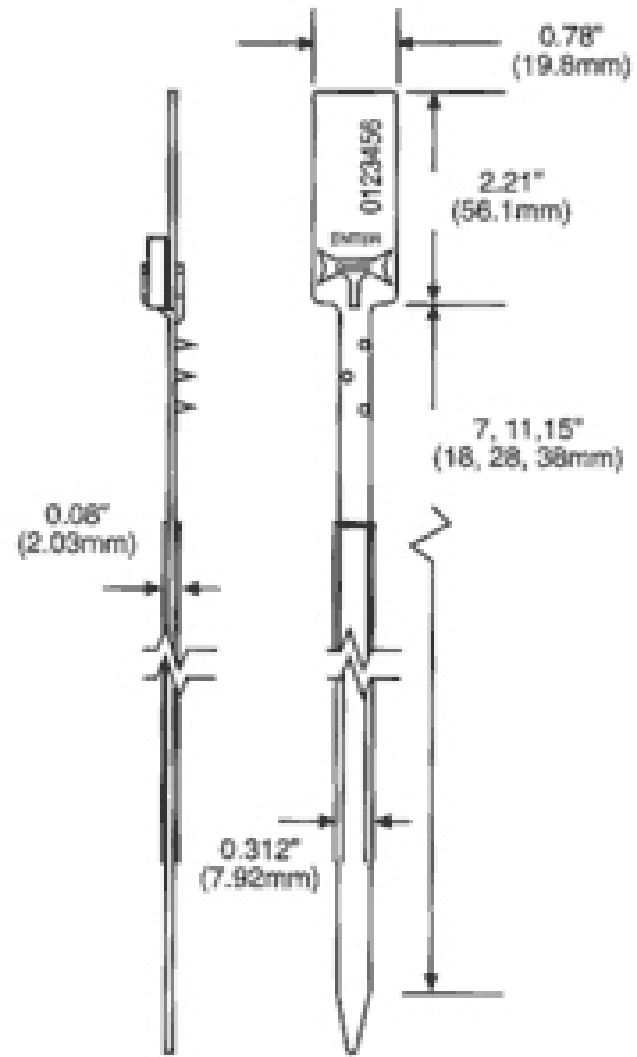
Packaging

7" Standard Packaging: 10 Mats/Bag = 2,500/Carton
Carton Dimensions: 18" x 12" x 17" (46cm x 30.5cm x 43cm)
Carton Weight: Gross: 24 lbs (11 kg) Net: 22 lbs (10 kg)

11" Standard Packaging: 10 Mats/Bag = 2,000/Carton
Carton Dimensions: 18" x 12" x 17" (46cm x 30.5cm x 43cm)
Carton Weight: Gross: 24 lbs (11 kg) Net: 22 lbs (10 kg)

15" Standard Packaging: 10 Mats/Bag = 1,500/Carton
Carton Dimensions: 18" x 12" x 17" (46cm x 30.5cm x 43cm)
Carton Weight: Gross: 30 lbs (14 kg) Net: 28 lbs (13 kg)

All Sizes Nylon: Gross: 29 lbs (13 kg) Net: 26 lbs (12 kg)



SECURE SEALS (INDIA) PVT. LTD.

(ISO 9001 - 2008 Certified Company)

111 Vihar Estate, Off Saki Vihar Road, Saki Naka,

Andheri (E), Mumbai - 400 072 INDIA

Tel. +91 22 2847 4000 | Fax: +91 22 2847 3000



NSIC - CRISIL

SE 2B